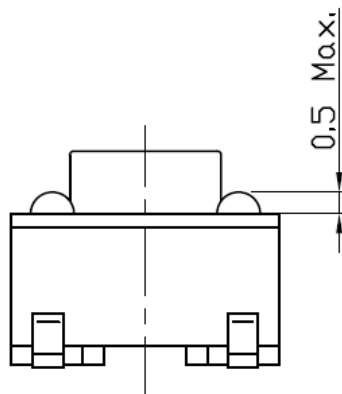
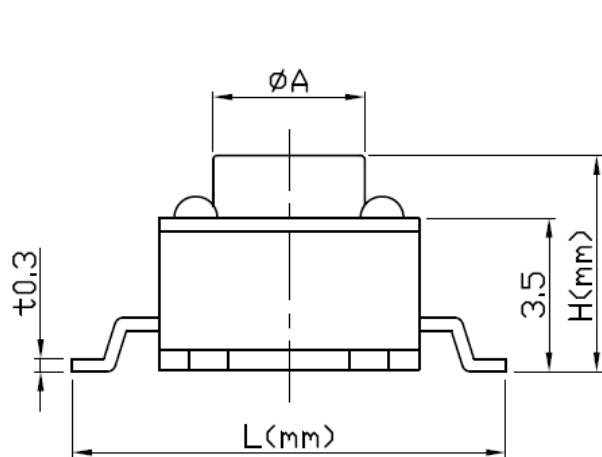
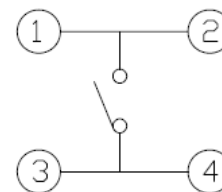


DIMENSIONS



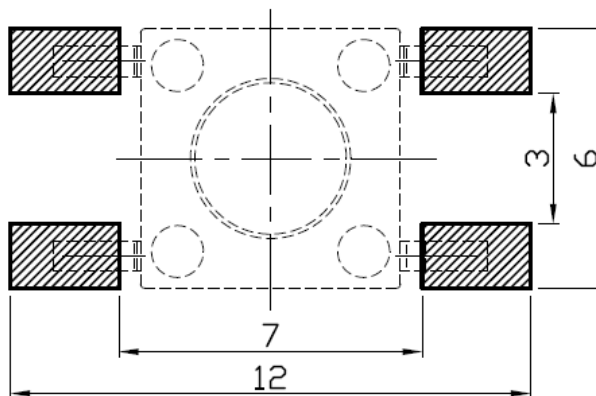
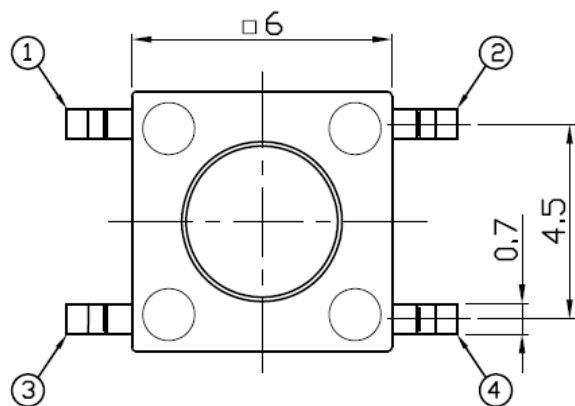
CIRCUIT DIAGRAM



NOTES

1. RATINGS : 50mA, DC 12V
2. CIRCUIT : 1C - 1P
3. OPERATING FORCE :
 a. $160 \pm 30gf = (N)$
 b. $260 \pm 50gf = (R)$
4. CONTACT RESISTANCE : 100m Ω Max.
5. TRAVEL : 0.25 ± 0.1 mm
6. LIFE : 100,000 Cycles Min.

P.C.B MOUNTING PATTERN DIMENSION
 The following soldering patterns are recommended for reflow soldering



		TS01M-K	13.0	TS01M-K	3.0
		TS01M-J	6.5	TS01M-J	3.4
		TS01M-I	6.0	TS01M-I	3.4
		TS01M-H	8.0	TS01M-H	3.4
		TS01M-G	10.0	TS01M-G	3.0
		TS01M-F	12.5	TS01M-F	3.0
		TS01M-D	9.5	TS01M-D	3.4
		TS01M-C	7.0	TS01M-C	3.4
B	10mm	TS01M-B	5.0	TS01M-B	3.5
A	9mm	TS01M-A	4.3	TS01M-A	3.5
L		MODEL NO.	H	MODEL NO.	ϕA


 銓基電子股份有限公司
 ROKI ELECTRONICS CO., LTD.

PART NAME : TACT SWITCH

PART NO : TS01M-□□-□-S2-PF

TOLERANCE : ± 0.3 mm

SCALE :

UNIT : mm

VER : R01

